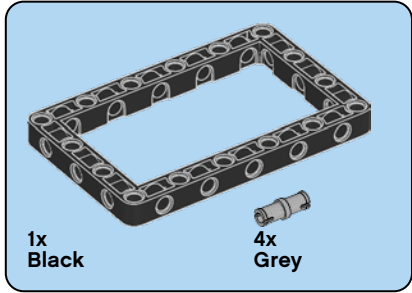
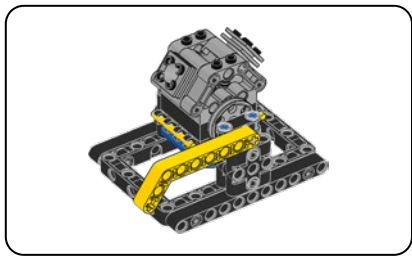
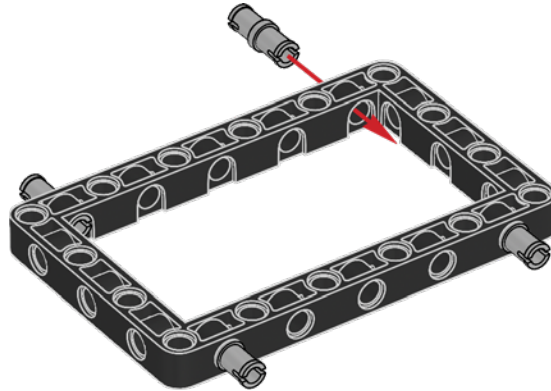
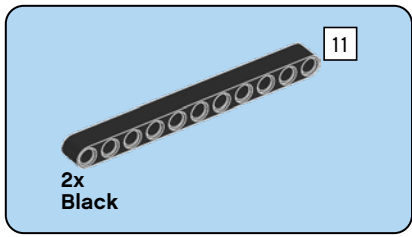


45816

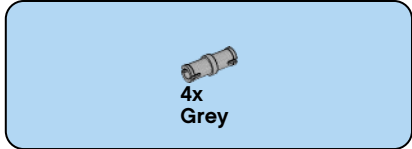
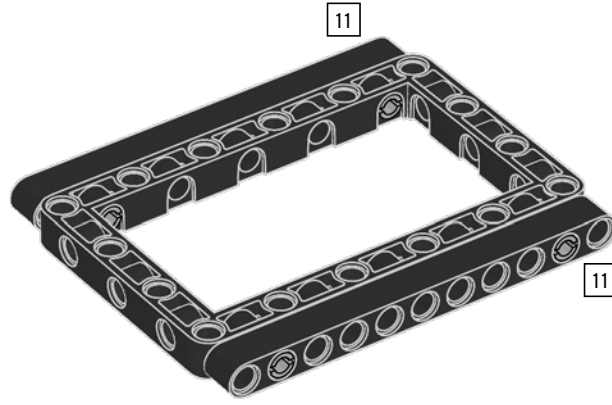


1

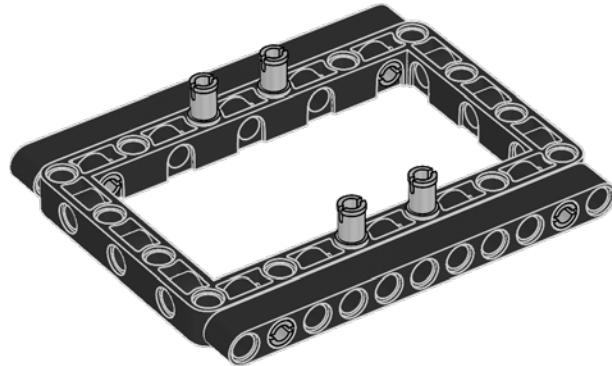




2



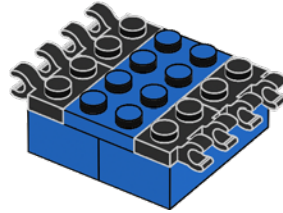
3





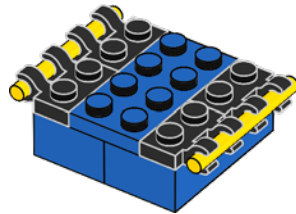
4x
Black

6



2x
Yellow

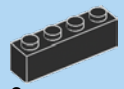
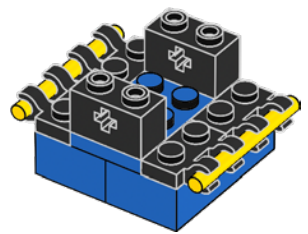
7





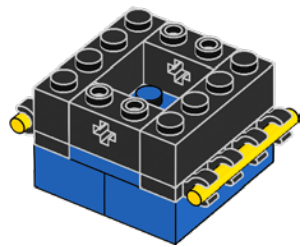
2x
Black

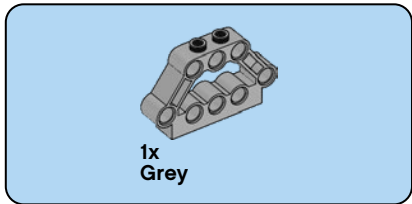
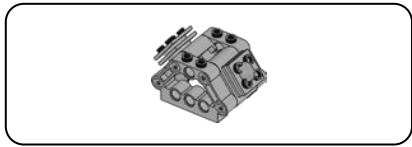
8



2x
Black

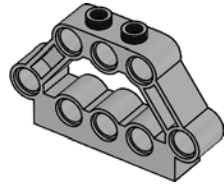
9

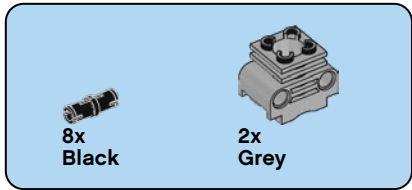




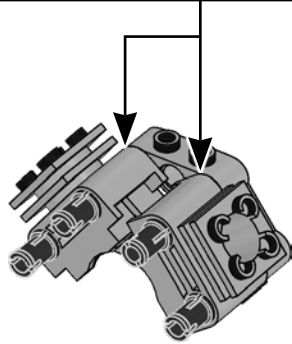
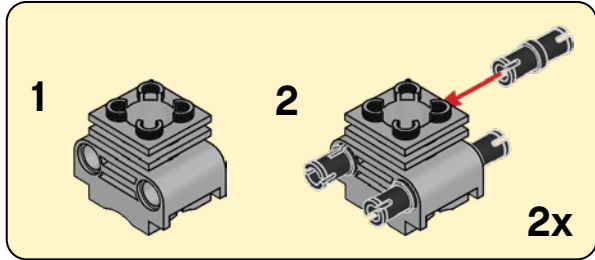
1x
Grey

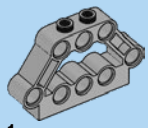
10





11

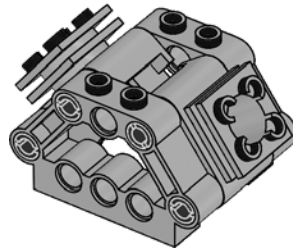




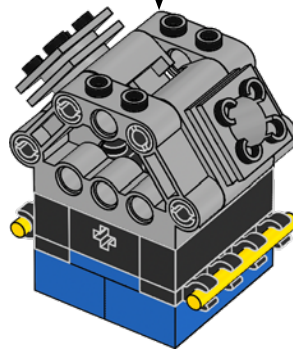
1x
Grey



12



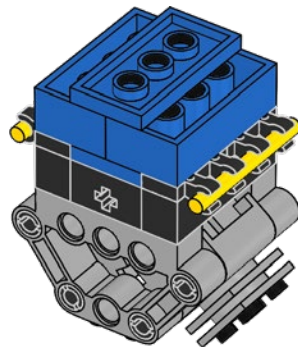
13





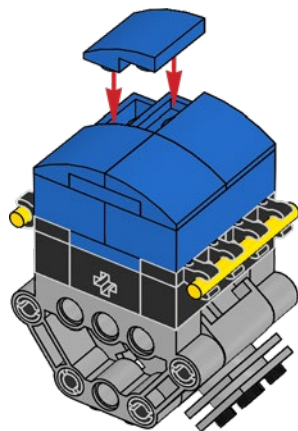
1x
Blue

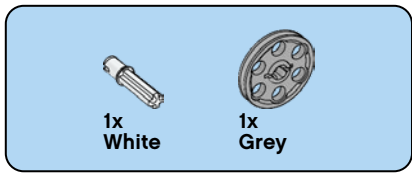
14



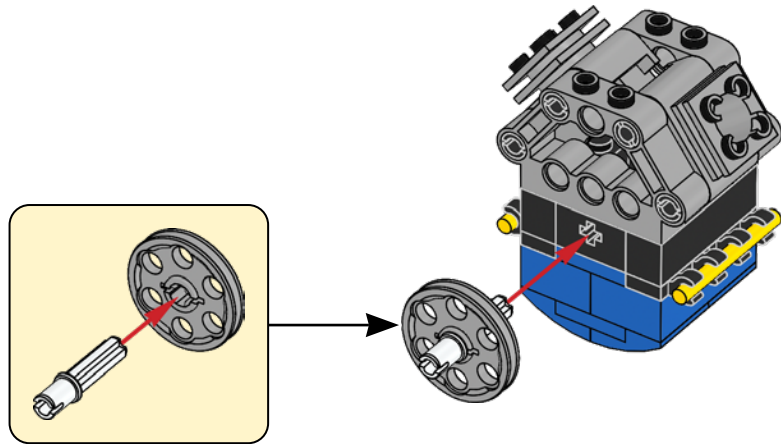
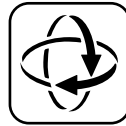
4x
Blue

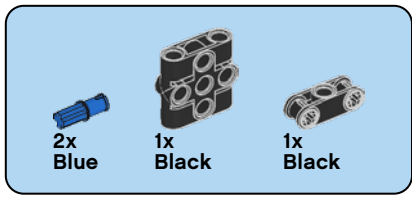
15



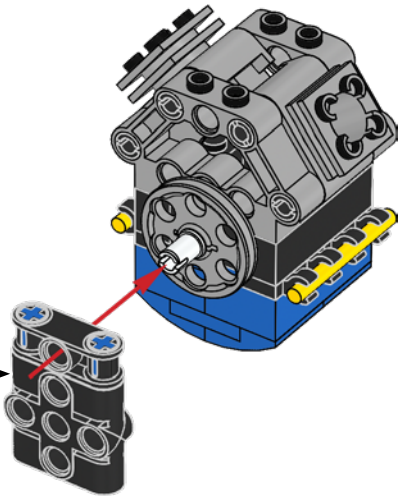
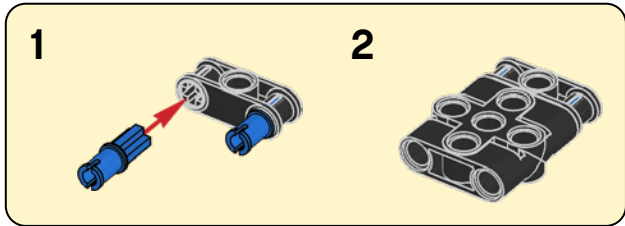


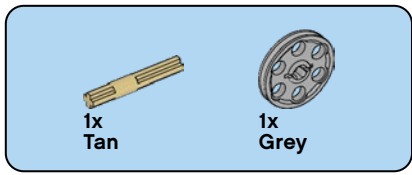
16



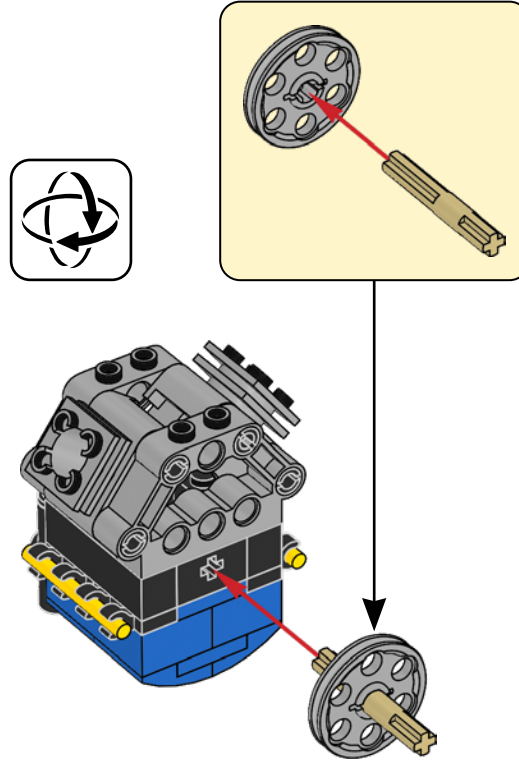


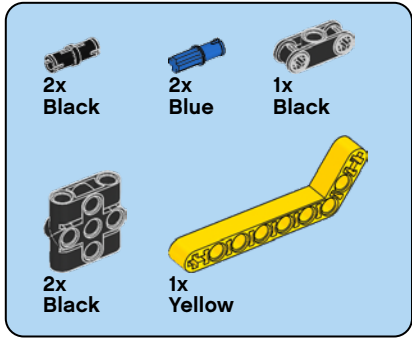
17



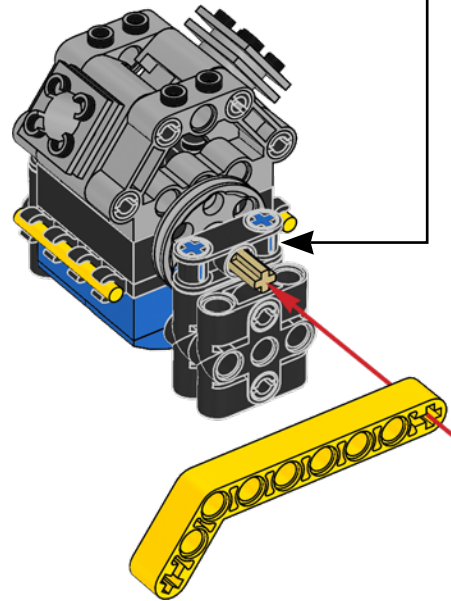
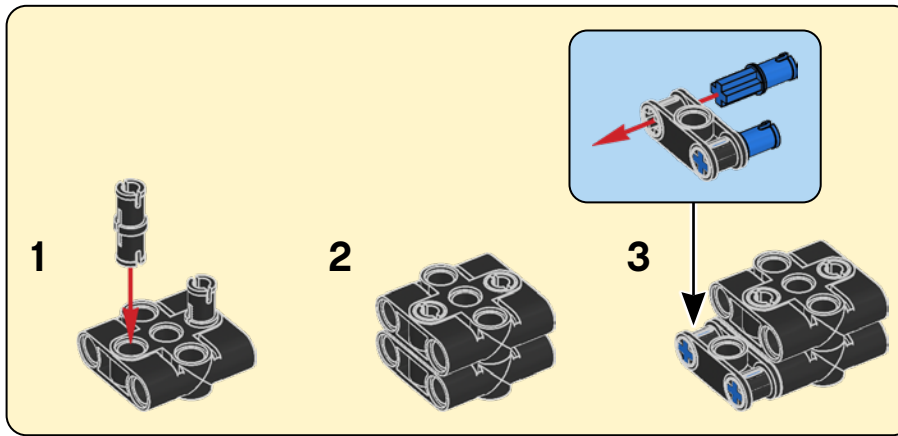


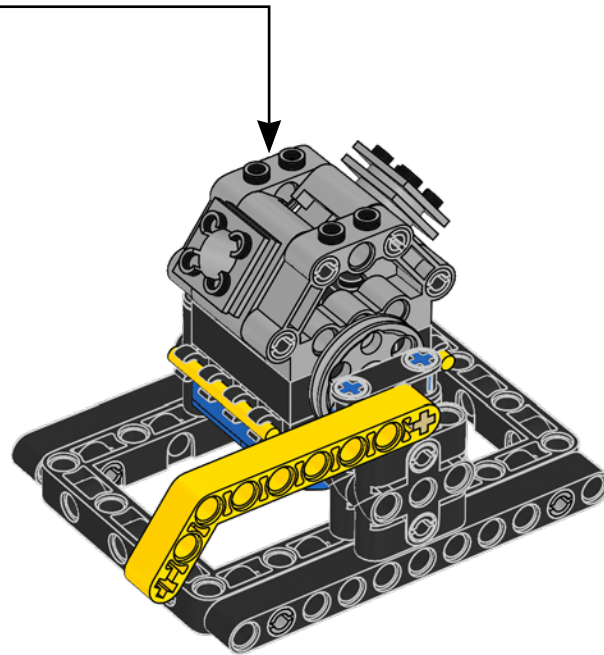
18





19





LEGO and the LEGO logo are trademarks of the/son des marques de commerce du/son marcas registradas de LEGO Group. ©2021 The LEGO Group. All rights reserved/Tous droits réservés/Todos los derechos reservados.

FIRST® is a registered trademark of For Inspiration and Recognition of Science and Technology (FIRST). LEGO® is a registered trademark of the LEGO Group. FIRST® LEGO® League and CARGO CONNECT™ are jointly held trademarks of FIRST and the LEGO Group.

©2021 FIRST and the LEGO Group. All rights reserved.