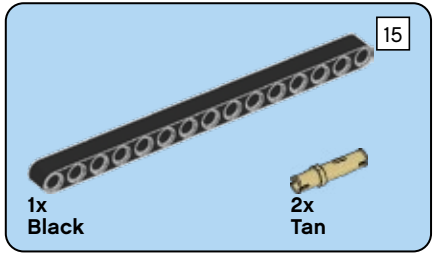
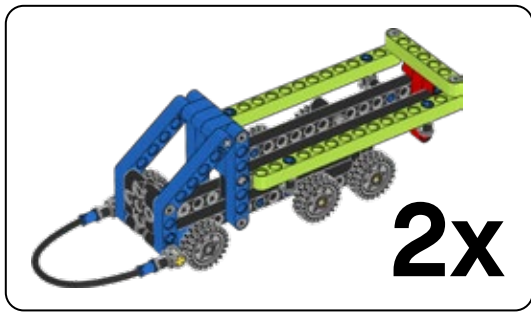


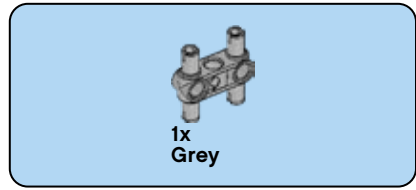
45816





1

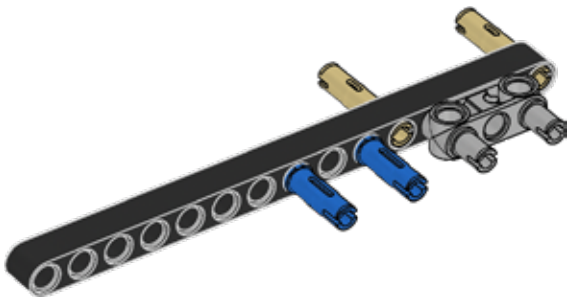


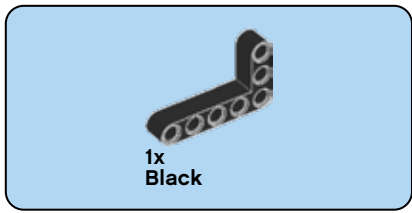


2

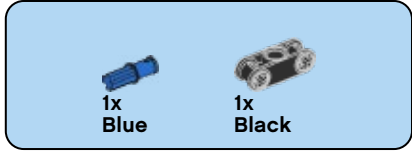
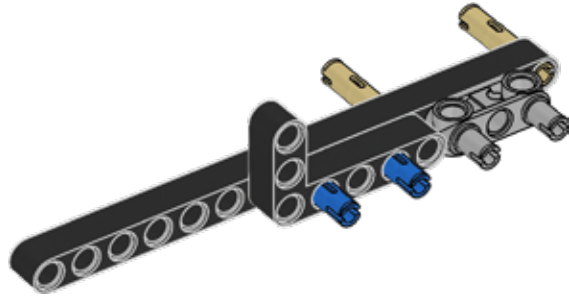


3

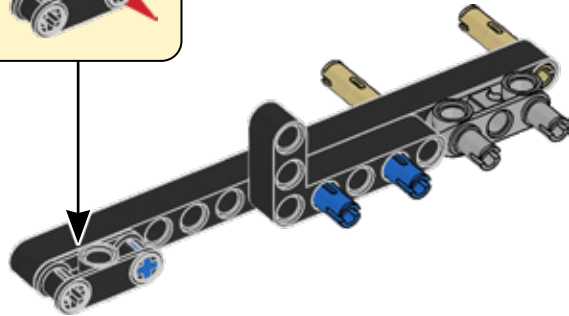
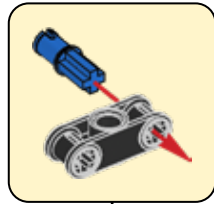


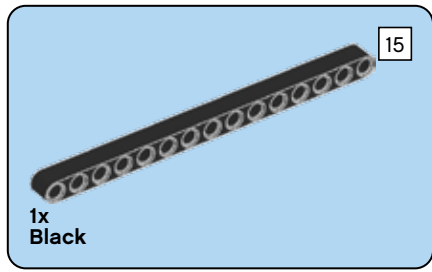


4

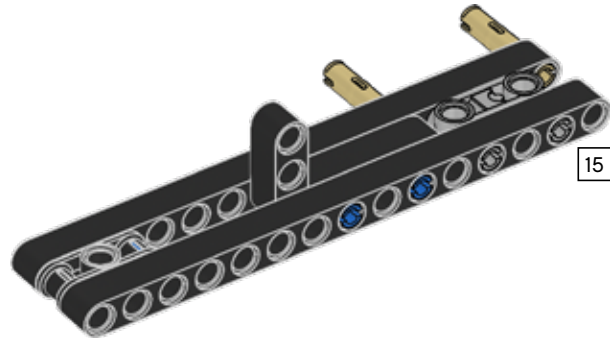


5

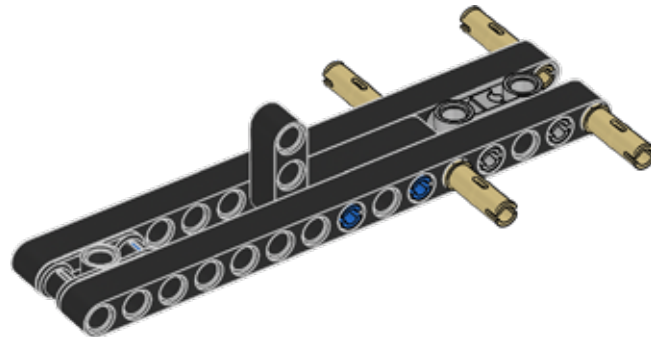


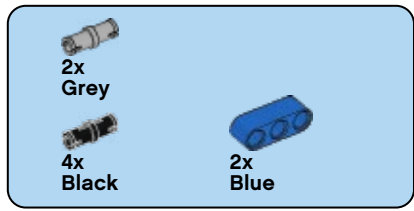


6

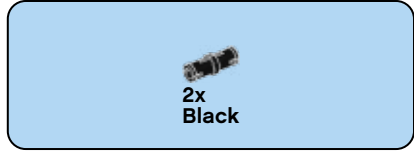
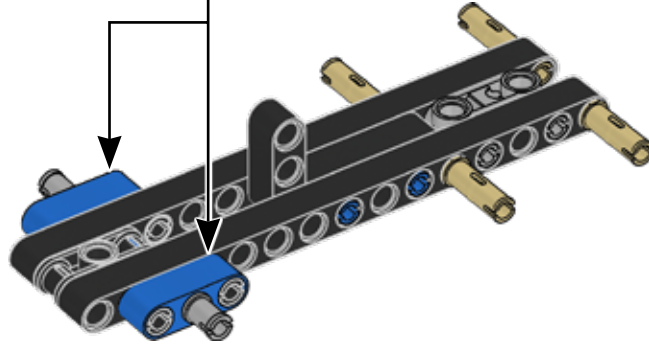
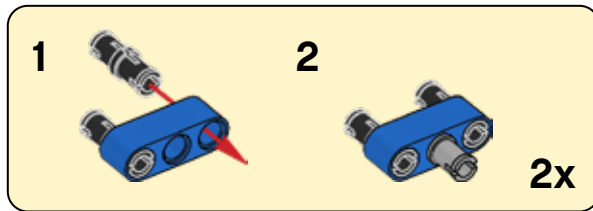


7

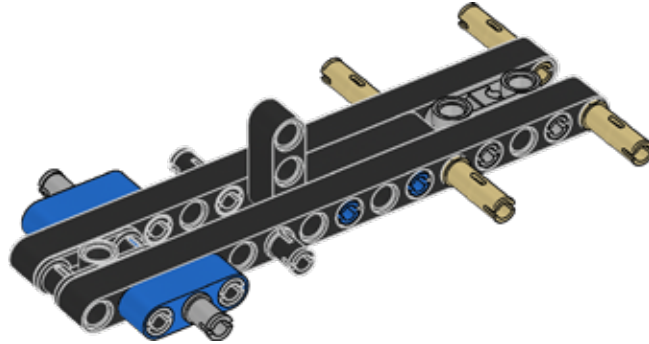


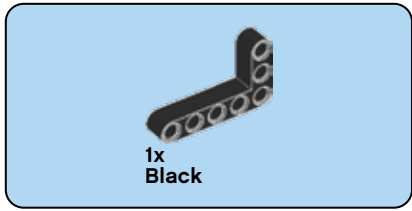


8

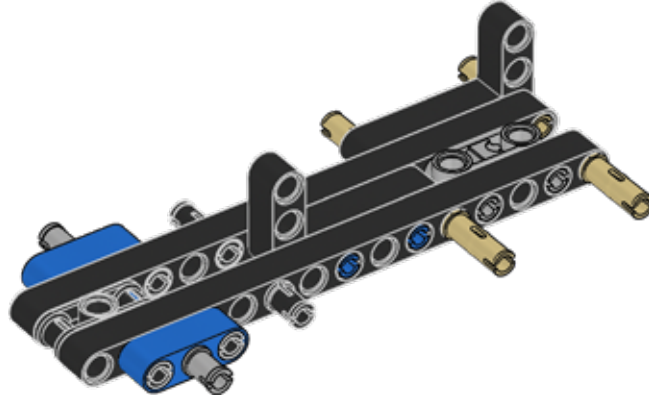


9

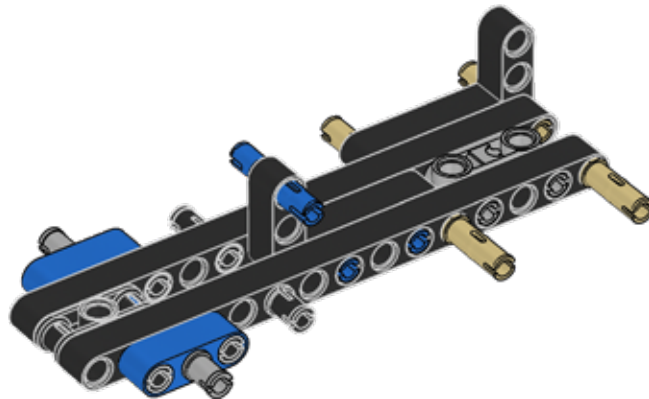


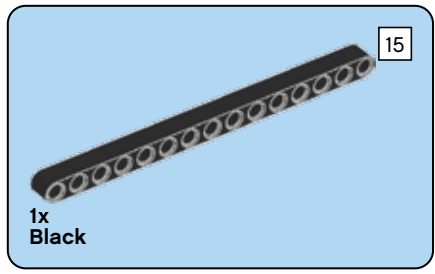


10

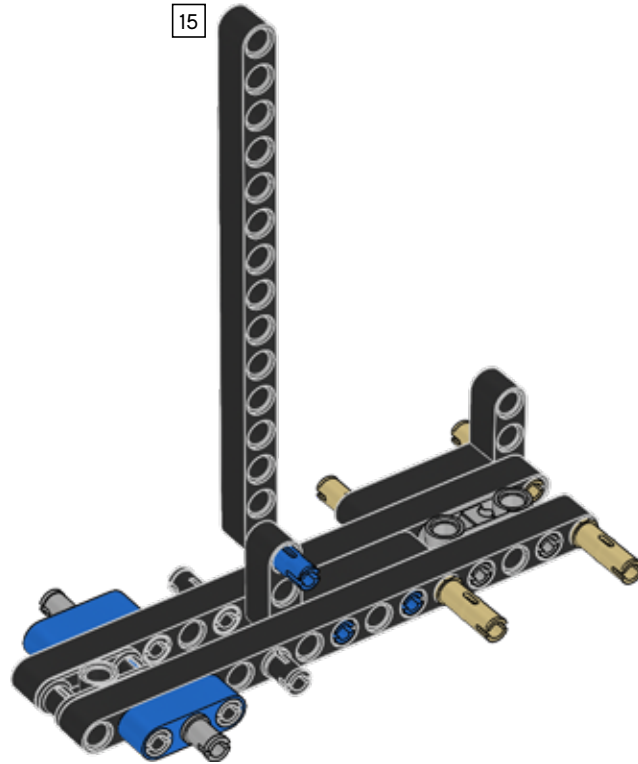


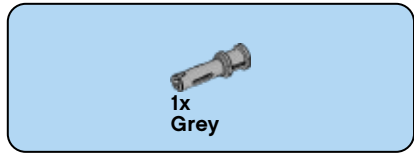
11



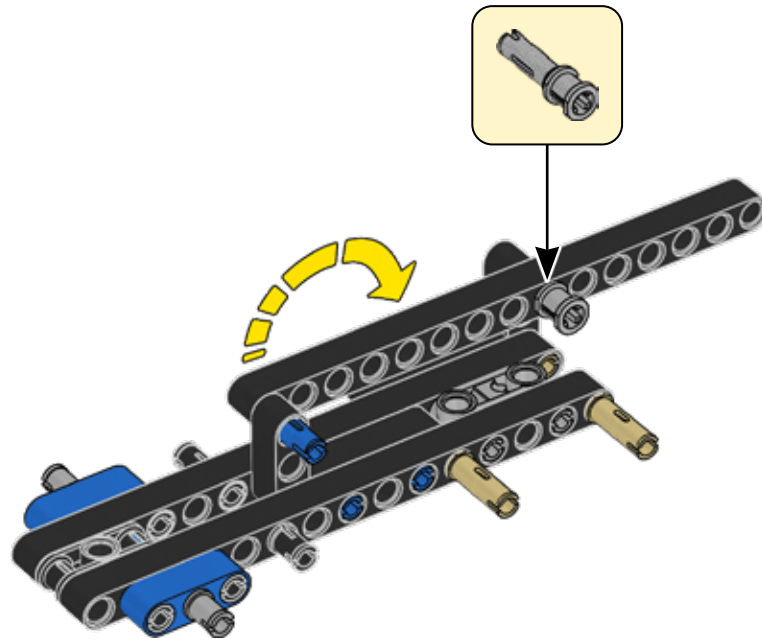


12



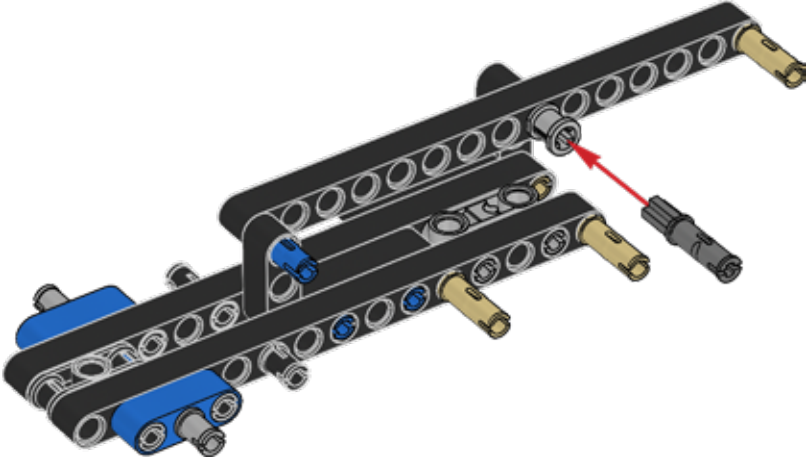


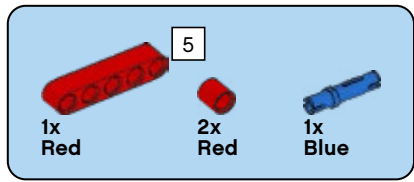
13



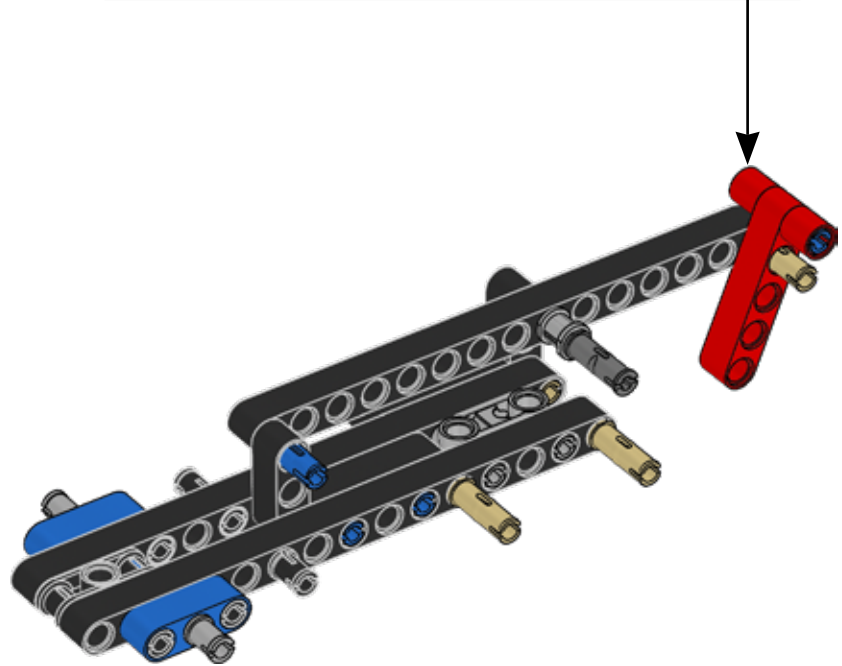
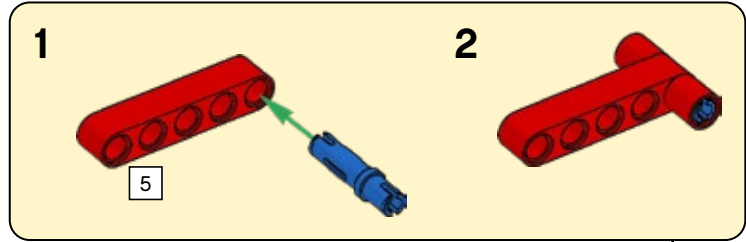


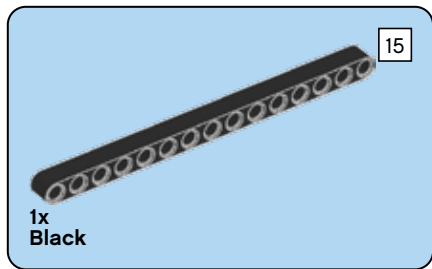
14



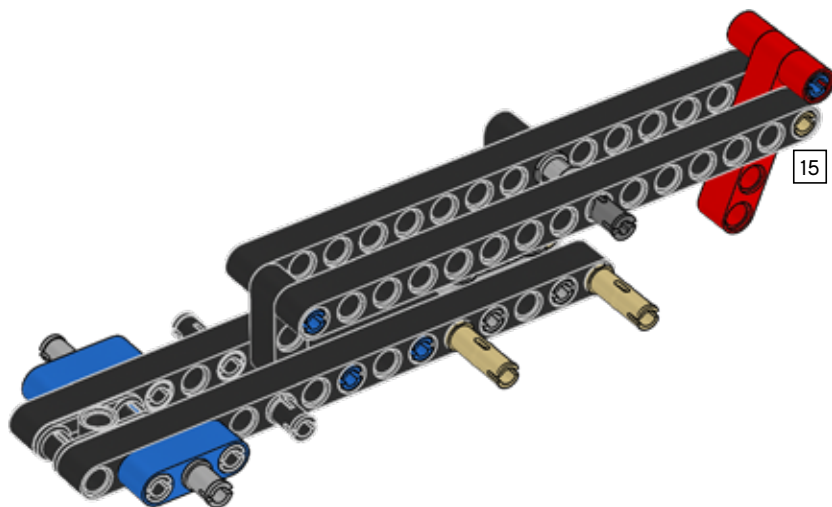


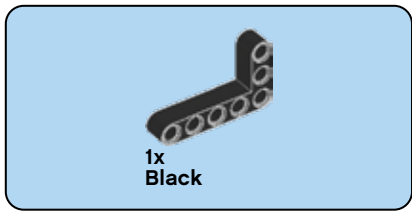
15



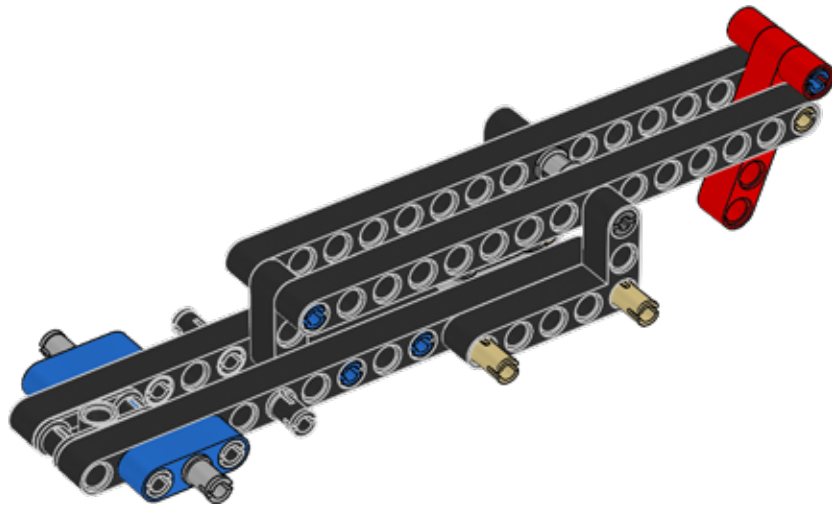


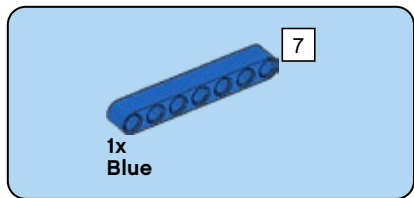
16



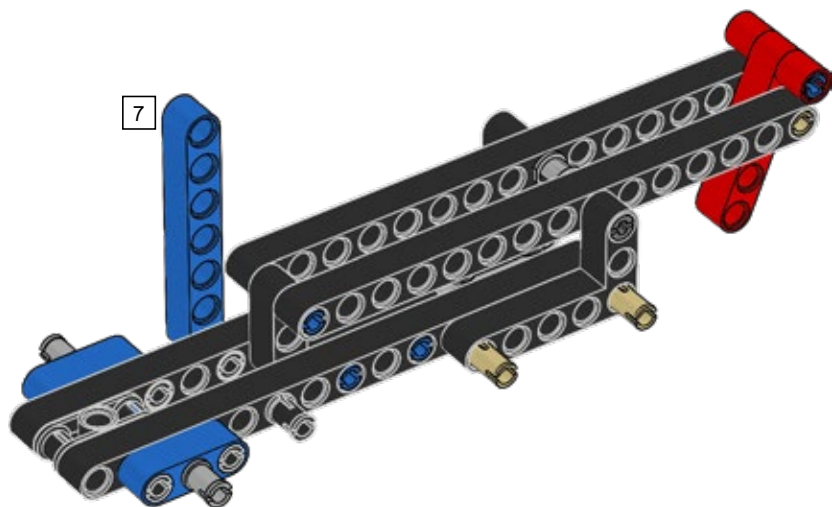


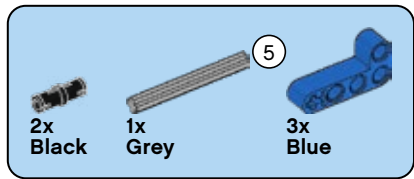
17



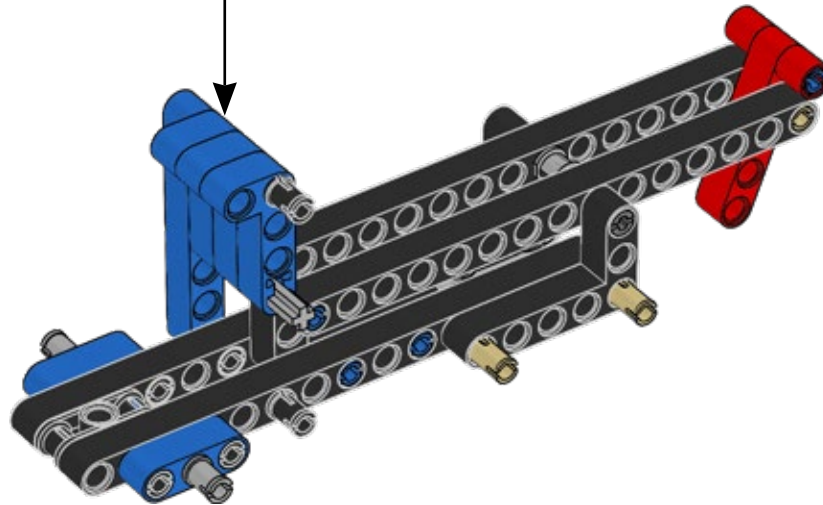
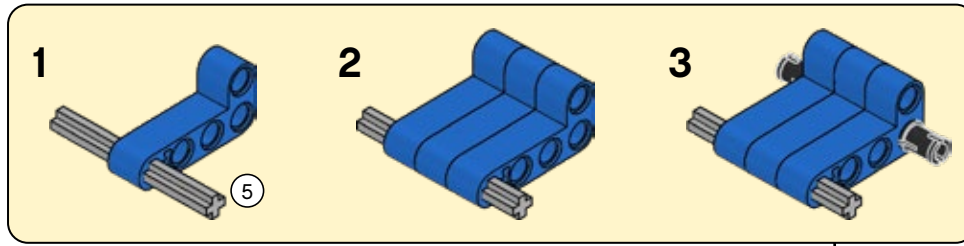


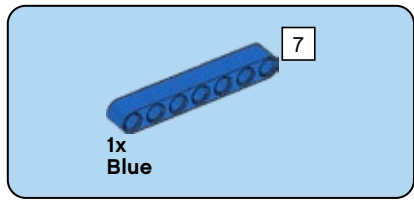
18



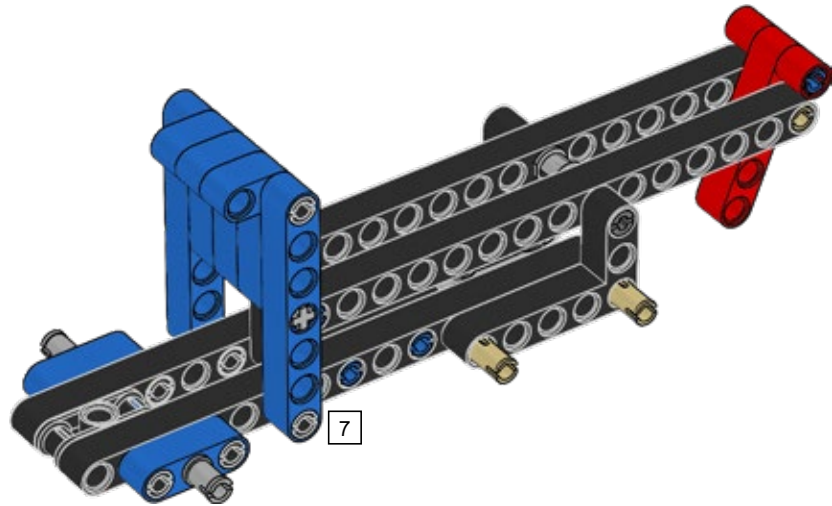


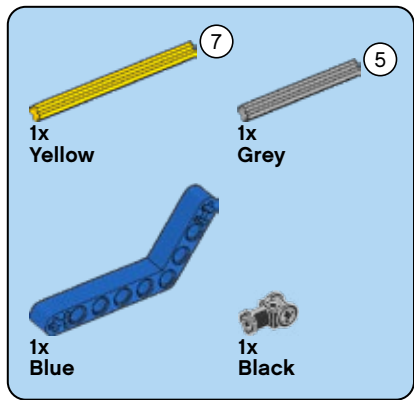
19



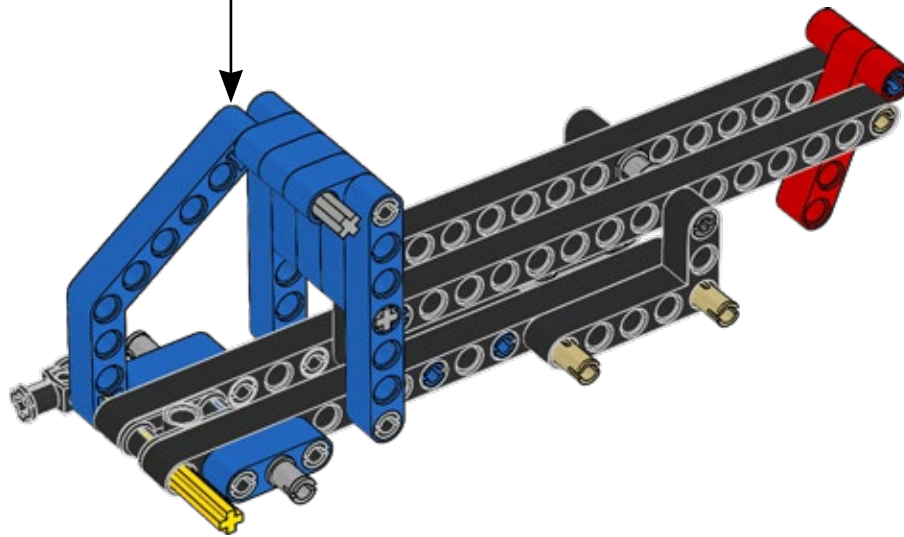
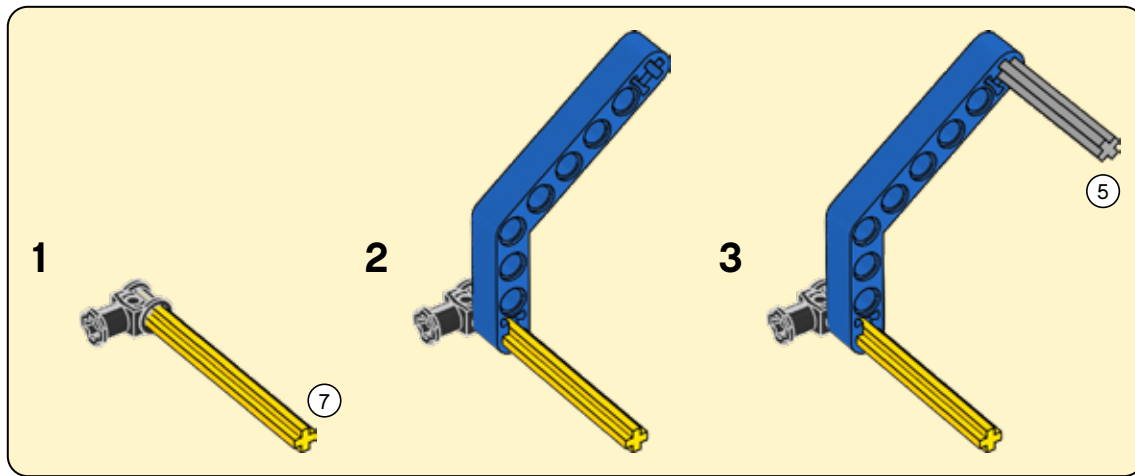


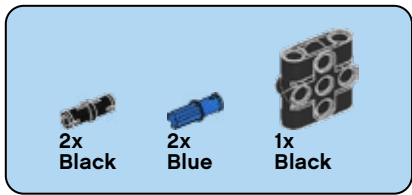
20



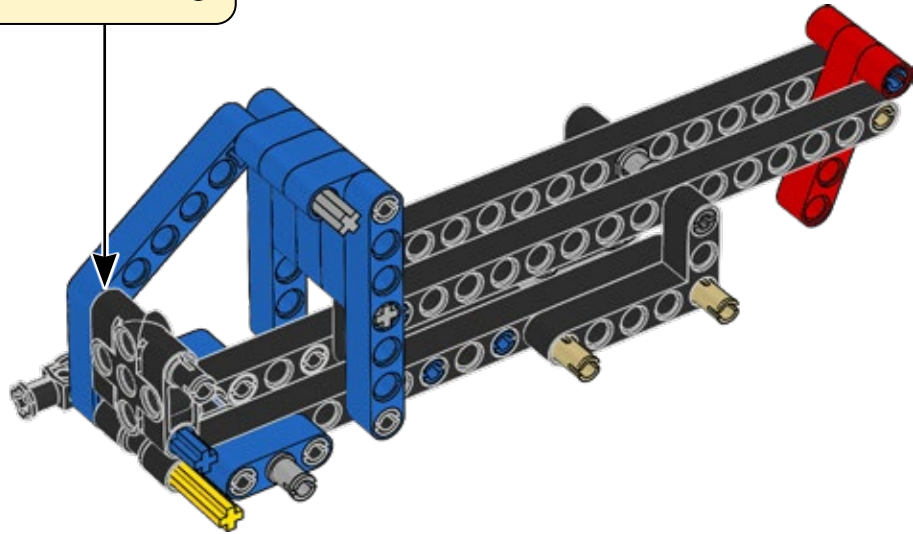
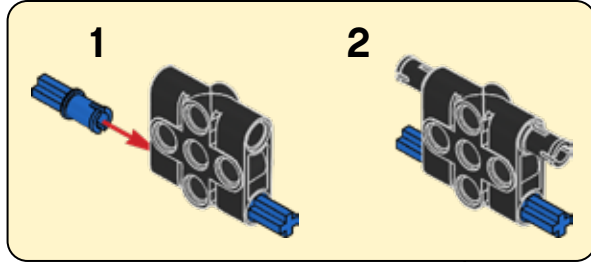


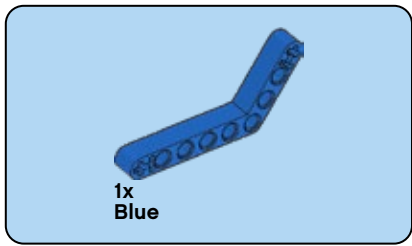
21



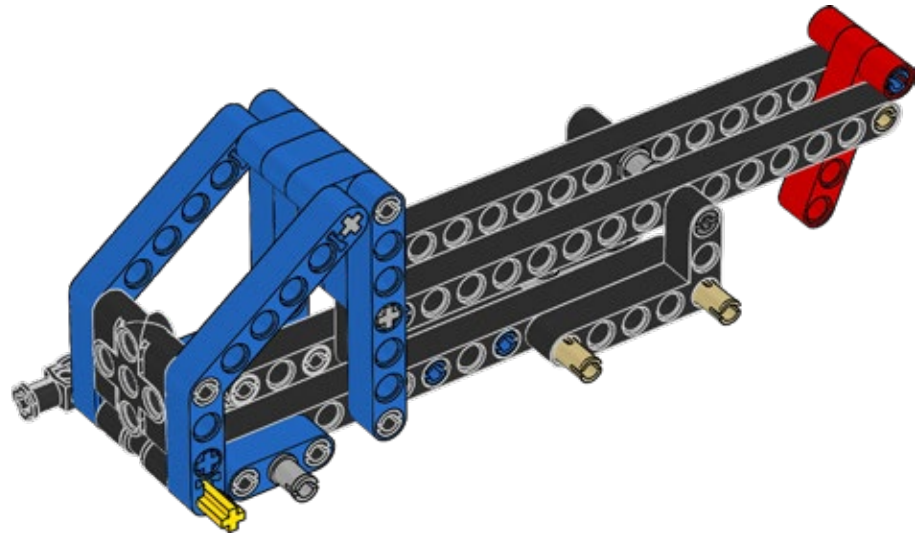


22





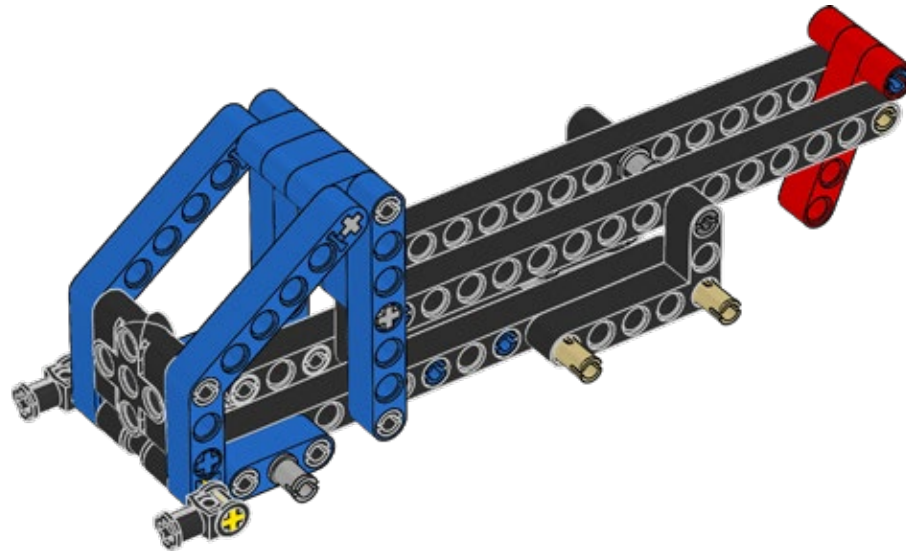
23





1x
Black

24

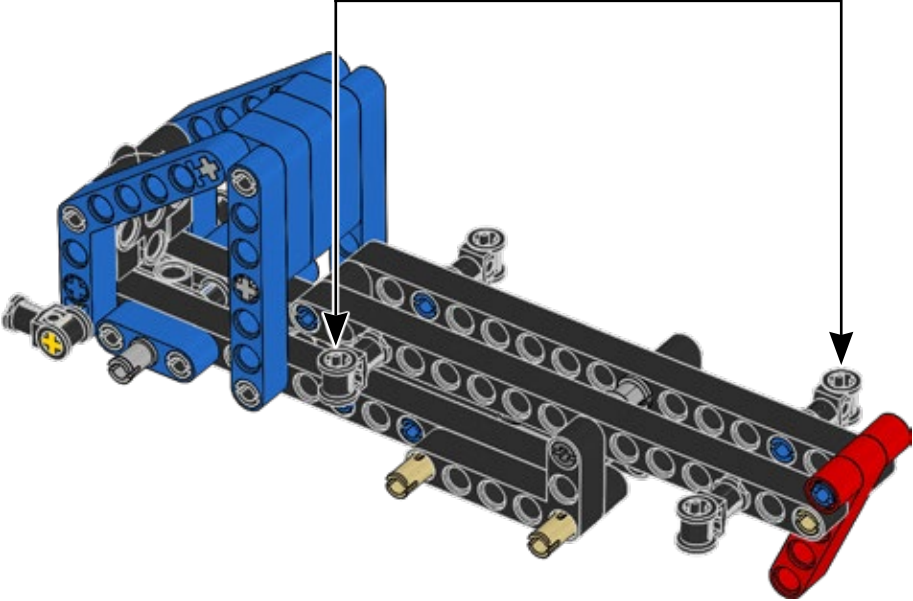


4x Blue 4x Black



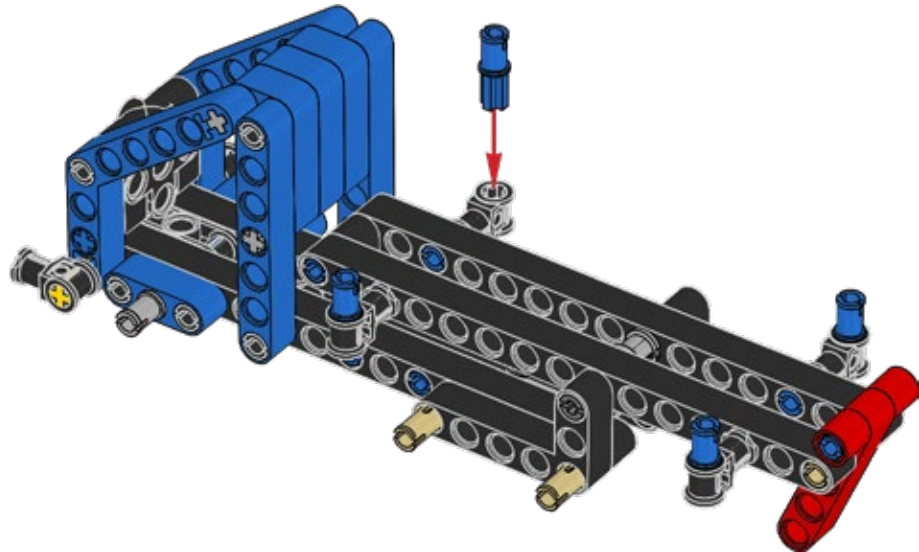
25

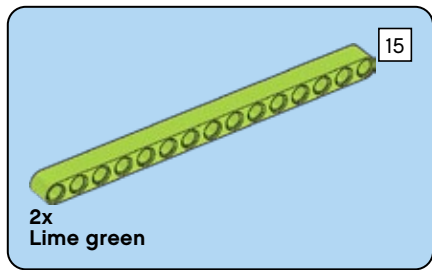
4x



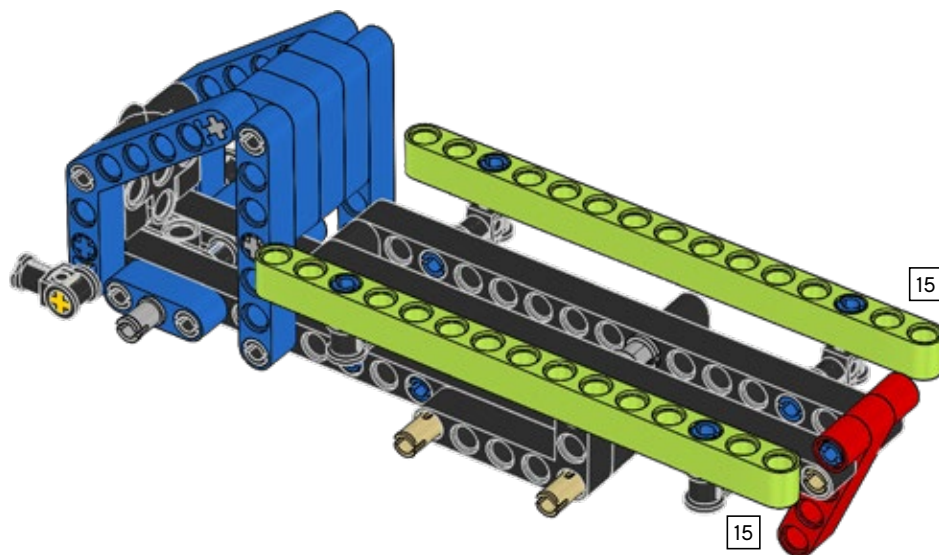
4x
Blue

26



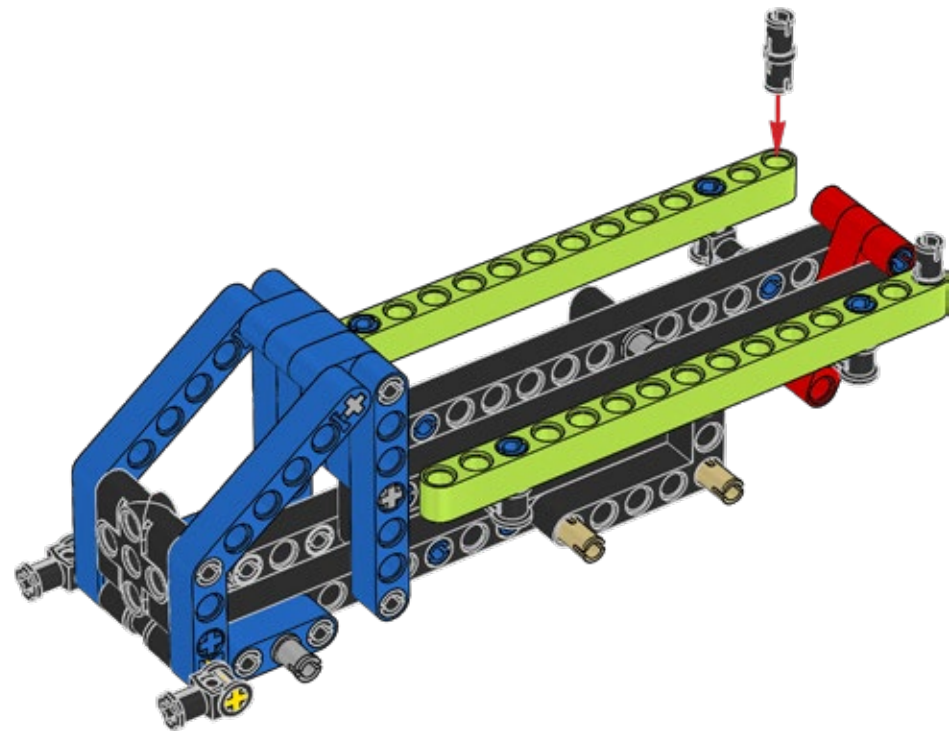


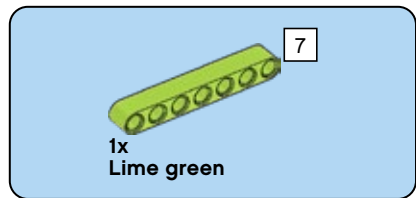
27



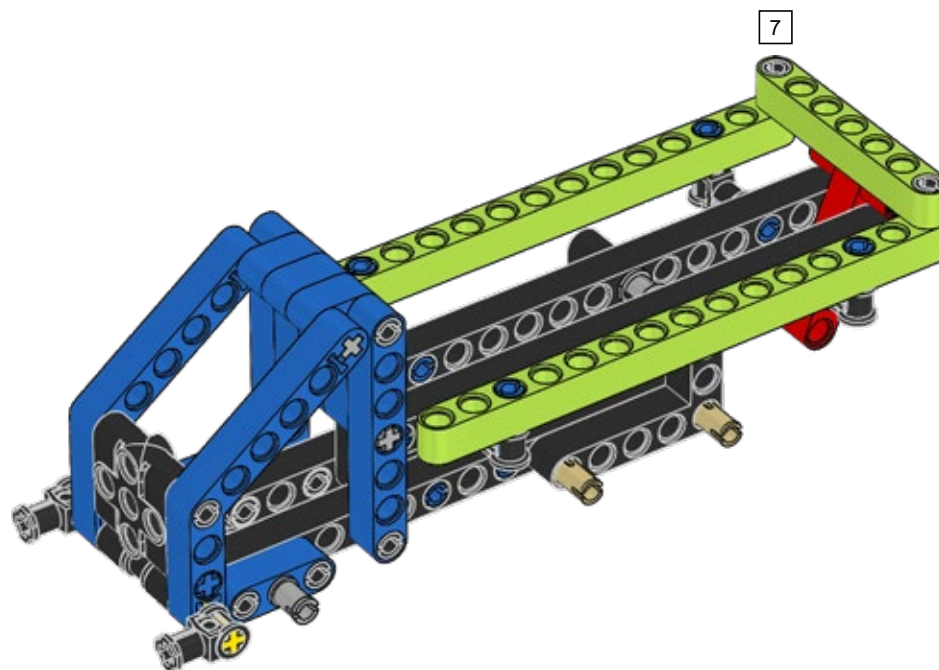
2x
Black

28





29

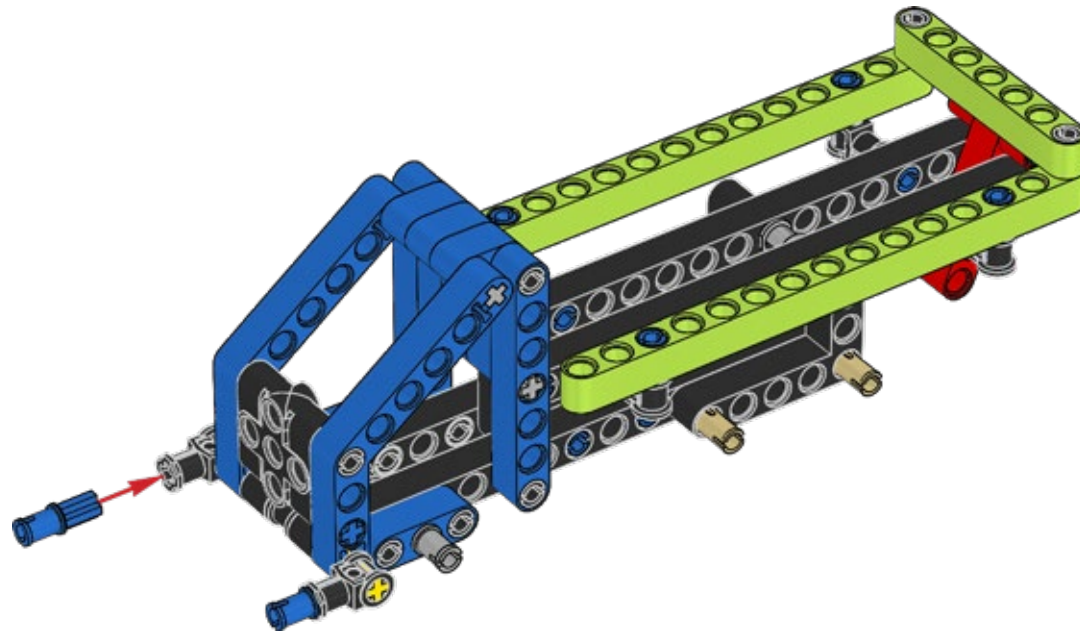


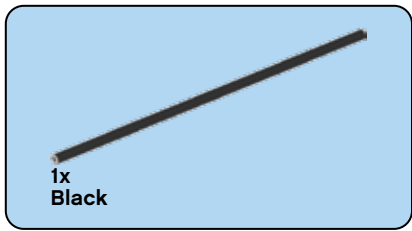


2x
Blue

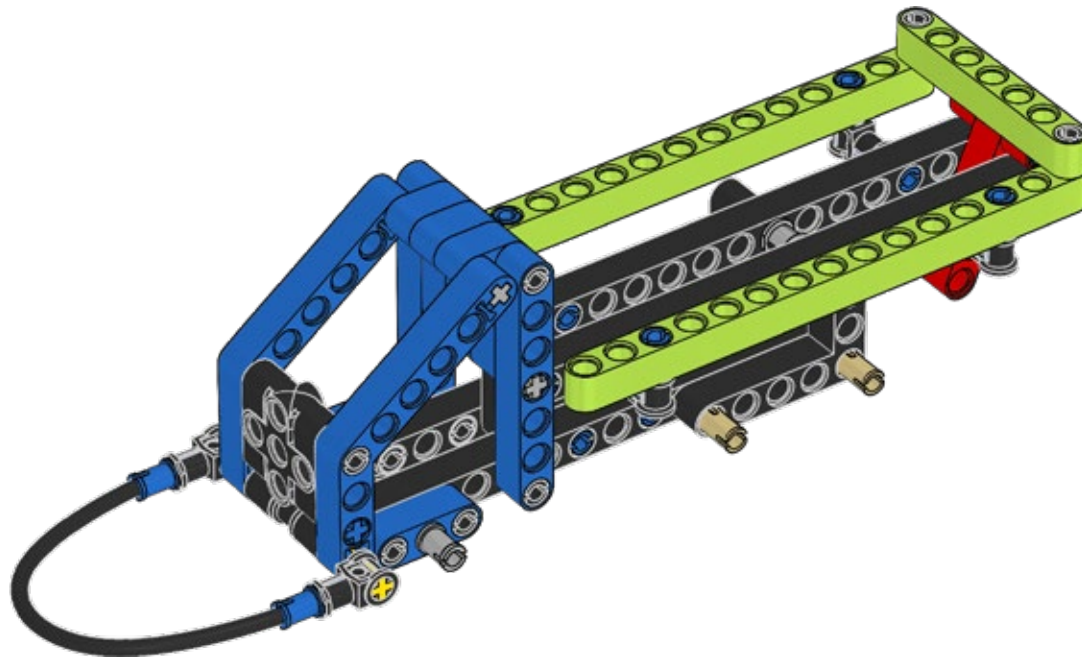


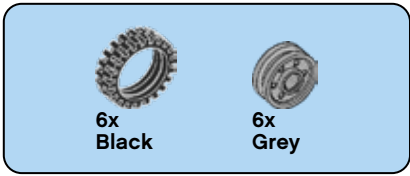
30



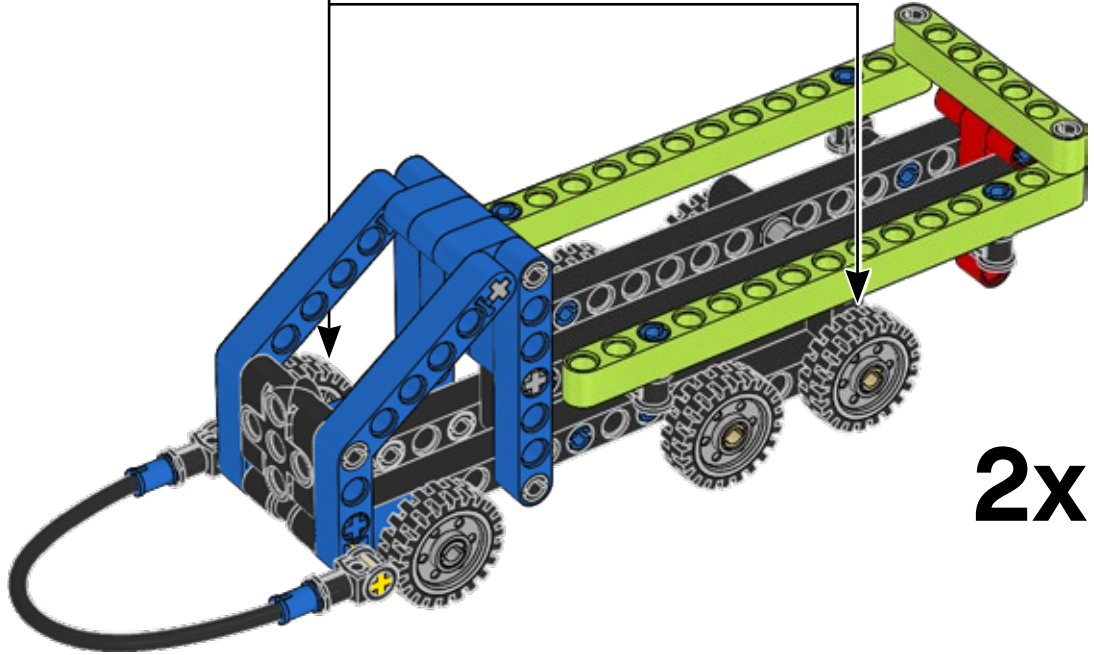
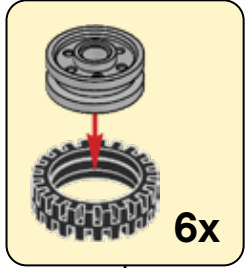


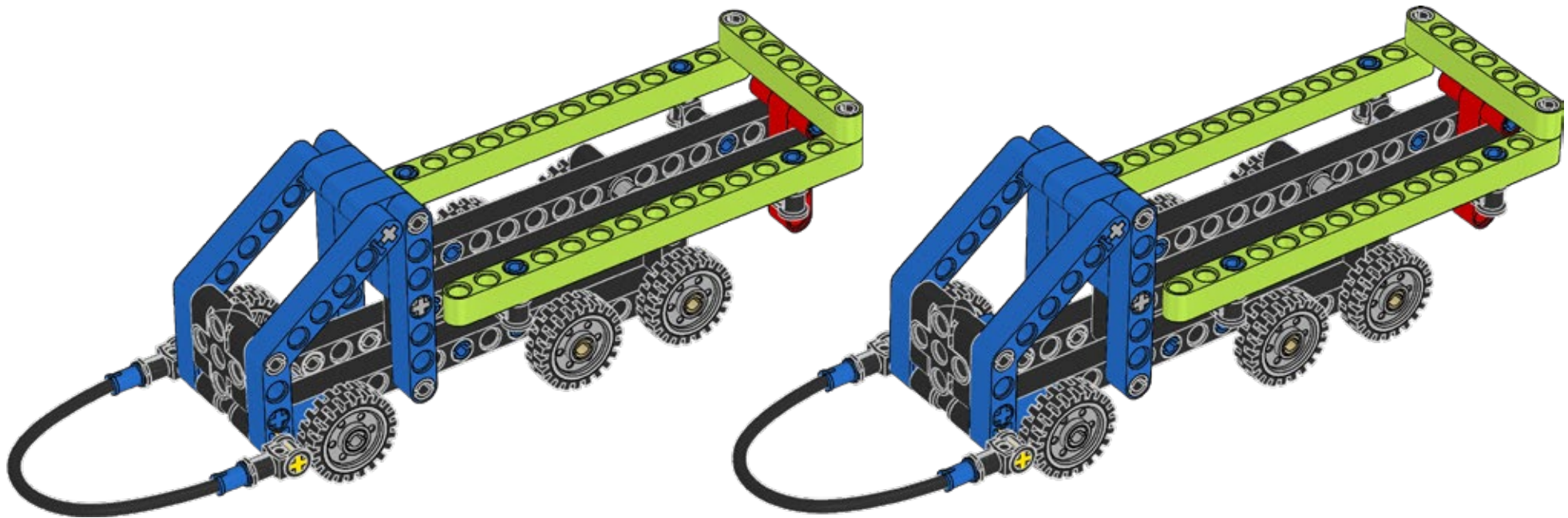
31





32





LEGO and the LEGO logo are trademarks of the/son des marques de commerce du/son marcas registradas de LEGO Group. ©2021 The LEGO Group. All rights reserved/Tous droits réservés/Todos los derechos reservados.

FIRST® is a registered trademark of For Inspiration and Recognition of Science and Technology (FIRST). LEGO® is a registered trademark of the LEGO Group. FIRST® LEGO® League and CARGO CONNECT™ are jointly held trademarks of FIRST and the LEGO Group.

©2021 FIRST and the LEGO Group. All rights reserved.